

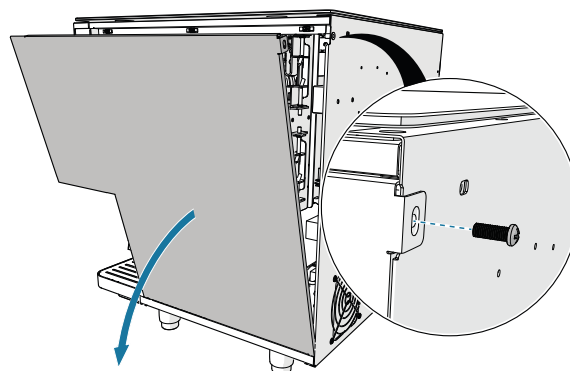
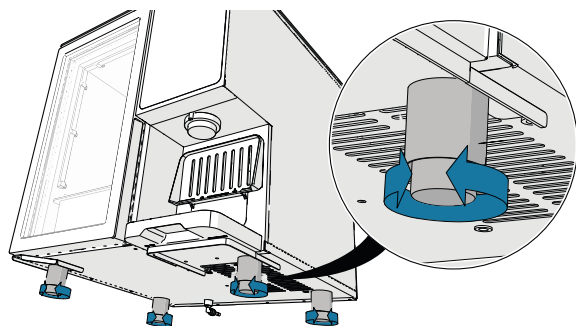


# MIXO<sup>8</sup> Automated Cocktail Machine

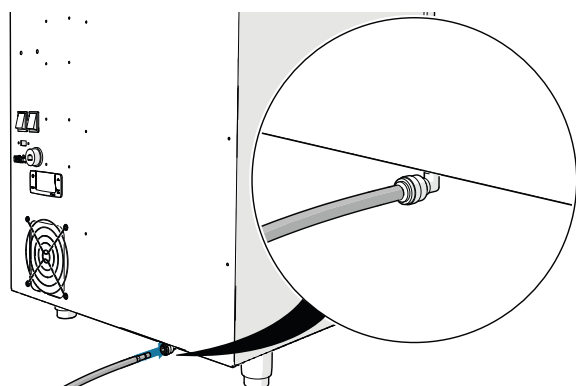
## Quick Setup Guide

### Installation

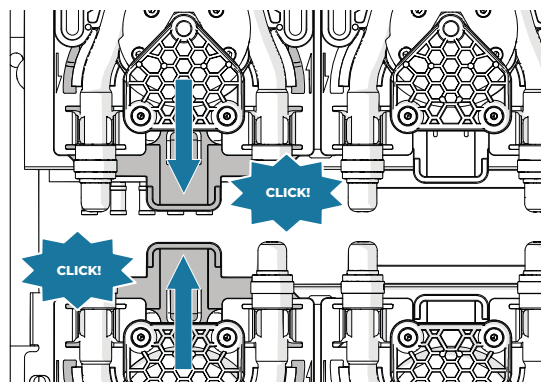
1. Carefully remove the machine from the box.
2. Remove the accessories box from the fridge and unpack it.
3. Place it on a level surface.
4. Use the adjustable feet to level the machine and ensure it is stable.
10. Use a Phillips head screwdriver to remove the screw on the top left of the back panel. Pull off the right-side panel from the top, then remove it completely and carefully set aside.



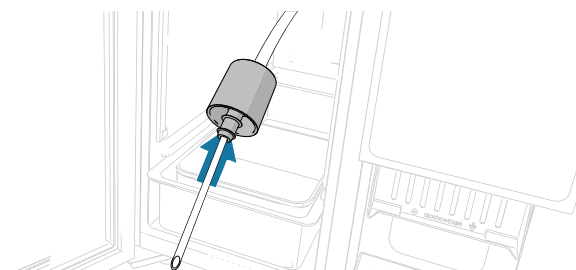
5. Connect the drain tube to the drain connector.




11. Lock the pumps by pulling out the latches all the way until they click. Pumps #1, #3, #5, #7 must be pushed downwards. Pumps #2, #4, #6, #8 must be pulled upwards.




6. Ensure the main power switch is set to OFF.
7. Connect the power cable to the power supply.
8. Inside the fridge, you will find eight tubes, each numbered at the connection point. In the accessories box, there are bottle covers with the same numbers. Match each tube with its corresponding bottle cover.
9. Insert the hard tube through the center of the bottle cover.

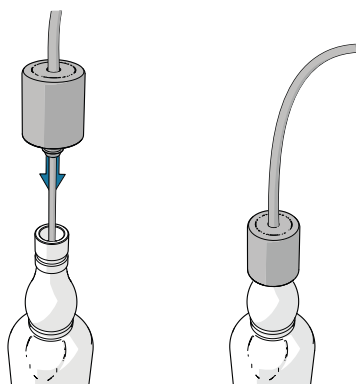


12. Re-mount the right-side panel
13. Switch on the main power and the fridge power.
14. Connect Mixo 8 to the internet either via an Ethernet cable or the supplied Wi-Fi dongle. An Ethernet cable is recommended for improved reliability.
15. Ethernet connections are set up automatically. To setup the Wi-Fi connection: tap  on the touchscreen and navigate to **Settings > Network Config > Wi-Fi Config**.

## Connecting bottles

The Mixo 8 features eight refrigerated bottle slots. Before preparing any cocktails, each slot must be configured and calibrated according to the specific type of spirit, juice, or syrup it will contain. You can use the recommended bottle mapping and default recipe list or set up your own. Changing bottle ingredients and positions requires access to MixologiQ Back Office.

1. Tap  on the touchscreen to view the bottle configuration.
2. Find the bottle for position 1, open it and place it in the fridge.
3. Find the tube for position 1 in the fridge and insert it into the bottle, ensuring the tip of the hard tube reaches the bottom. Close the bottle securely with the bottle cover.




4. Repeat for the other bottles.

**Always make sure the bottles match their configured position. Failing to do so will result in incorrectly prepared drinks.**

## Calibration

To accurately dispense the right amount of liquid from each source bottle, calibration needs to be performed each time the brand or ingredient type is changed.

To perform calibration:

1. Tap  on the touch screen.
2. Tap **Settings**.
3. Tap **Calibration**.
4. Select the bottles to calibrate by tapping each of them.
5. Tap **Go**.
6. Follow the on screen instructions.

## Pouring a cocktail


**Tip** Familiarize yourself with the recipes by browsing through them on the touch screen interface. Prepare glasses, garnishes and other ingredients before service.

1. Ensure all bottles are correctly placed and connected. Ensure no bottles are empty.
2. Tap **Cocktails** on the touch screen.
3. Select a cocktail to pour and follow the preparation instructions on screen.

## Daily operation

### Start of day

1. Ensure the machine is plugged in and powered on.
2. Check whether the screen responds to touch and shows the selection of cocktail recipes.
3. Check the cooling temperature on the thermostat on the back (under 5 °C / 41 °F).
4. Place the bottles in their correct slots.


**Tip** To check where the bottles need to be placed, tap  on the touch screen. The bottle configuration is displayed.

5. Ensure the bottle covers are properly inserted and securely connected.
6. Check for any system alerts or warnings and resolve them before making any cocktails.

### During service

- Respond promptly to any alerts, for example: empty bottle, low flow, cleaning required.
- Do not move the machine when mixing and pouring.
- Empty and clean the drip tray regularly.
- Keep the machine's surfaces clean.
- Shake juice bottles often to prevent solids from settling at the bottom.

### End of day

1. Run the daily cleaning cycle for juices: tap  on the touch screen and navigate to **Settings** > **Cleaning**. Follow the on screen instructions.
2. Wipe down the surfaces.
3. Empty and rinse the cleaning container.
4. Don't switch off the machine nor the fridge.